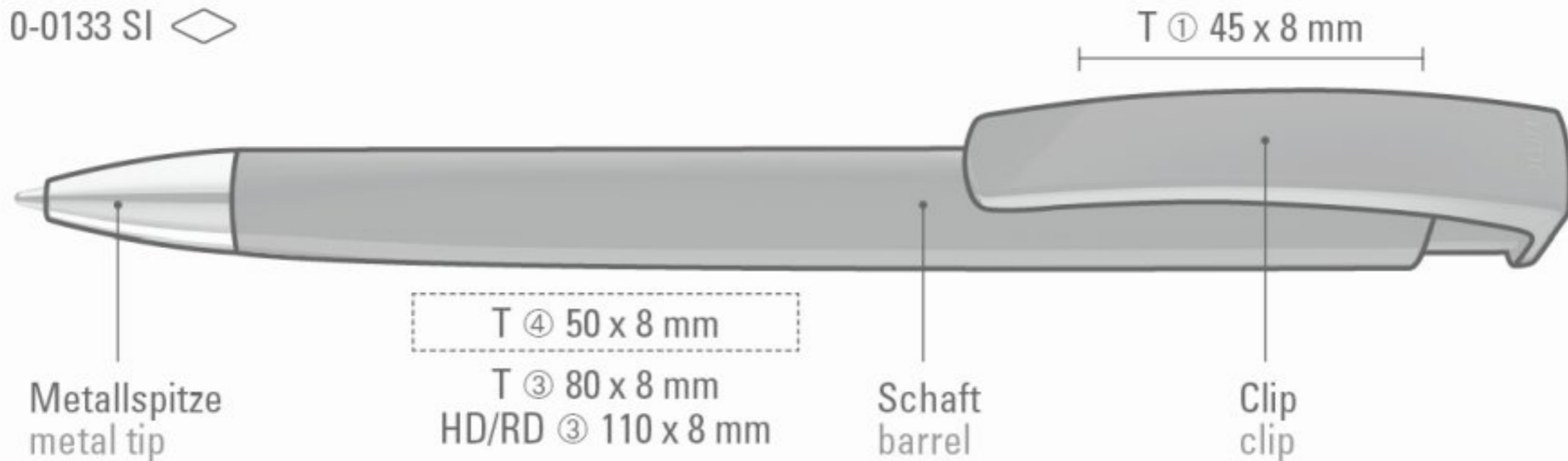


0-0133 SI 



T ① 45 x 8 mm

T ④ 50 x 8 mm

T ③ 80 x 8 mm
HD/RD ③ 110 x 8 mm

Metallspitze
metal tip

Schaft
barrel

Clip
clip